

Quartz Crystal Resonators

Product Category	Item Number	Page	Dimension (mm)	Product Applications																																		
				Consumer Electronics					Networking					Automotive					Industrial			Security		Medical		Other												
				Wearable Device	Mobile Phone	PC	Computer Peripherals	STB	Home Appliance	Toy & Gadgets	SONET/SDH	FTTX	Wireless LAN	Small Cell	WiFi/BLE	FRS/Radio	IoV	Car Multimedia	Powertrain	Domain Controller	Navigation System	TPMS	PKE/RKE	ADAS	AMR/AMI	Industrial Automation	POS & Payment	RFID/NFC	Sensor & Transmitter	Test & Measurement	DVR/NVR	IPC / CCD	Conference Equipment	Intelligent Buildings	Wearable Health	Personal care	Hospital Equipment	SoC / SiP
Quartz Crystal Resonators	THR-1612 New	05	1.6*1.2*0.7	✓	✓																															✓		
	THR-2016	06	2.05*1.65*0.8	✓	✓																																✓	
	THR-2520	07	2.55*2.05*1.0	✓	✓																																✓	
	SMHF-49B/THHF-49S	08																																				
	SMCM-2016H	09	2.0*1.6*0.7	✓	✓	✓	✓	✓	✓	✓														✓	✓	✓	✓	✓	✓								✓	
	SMCM-3225H	10	3.2*2.5*0.8	✓	✓	✓	✓	✓	✓	✓														✓	✓	✓	✓	✓	✓								✓	
	SMCM-5032H	11	5.0*3.2*1.1			✓	✓	✓	✓																✓													
	SMAC-7050H	12	7.0*5.0*1.45			✓	✓																	✓	✓													
	SMAC-1045H	13	10.0*4.5*1.4			✓	✓																	✓	✓													
	SMCE-1210	14	1.2*1.0*0.3	✓			✓																			✓	✓										✓	
	SMCE-1612	15	1.6*1.2*0.4	✓			✓																			✓	✓										✓	
	SMCE-2016	16	2.05*1.65*0.55	✓	✓	✓	✓	✓																	✓	✓	✓	✓	✓	✓								✓
	SMCE-2520	17	2.5*2.0*0.6	✓	✓	✓	✓	✓																	✓	✓	✓	✓	✓	✓								✓
	SMCE-3225	18	3.2*2.5*0.8	✓	✓	✓	✓	✓																	✓	✓	✓	✓	✓	✓	✓	✓	✓	✓	✓	✓	✓	✓
	SMCE-5032	19	5.0*3.2*0.8			✓	✓																		✓	✓												
	SMCE-6035 *	20	6.0*3.5*1.0			✓	✓																		✓	✓												
	SMCE-7050 *	21	7.0*5.0*1.0			✓	✓																		✓	✓												
	SMLF-1610	22	1.6*1.0*0.5	✓	✓	✓	✓																		✓	✓	✓	✓	✓	✓	✓	✓	✓	✓	✓	✓	✓	✓
	SMLF-2012	23	2.0*1.2*0.6	✓	✓	✓	✓																		✓	✓	✓	✓	✓	✓	✓	✓	✓	✓	✓	✓	✓	✓
	SMLF-3215	24	3.2*1.5*0.9	✓	✓	✓	✓																		✓	✓	✓	✓	✓	✓	✓	✓	✓	✓	✓	✓	✓	✓

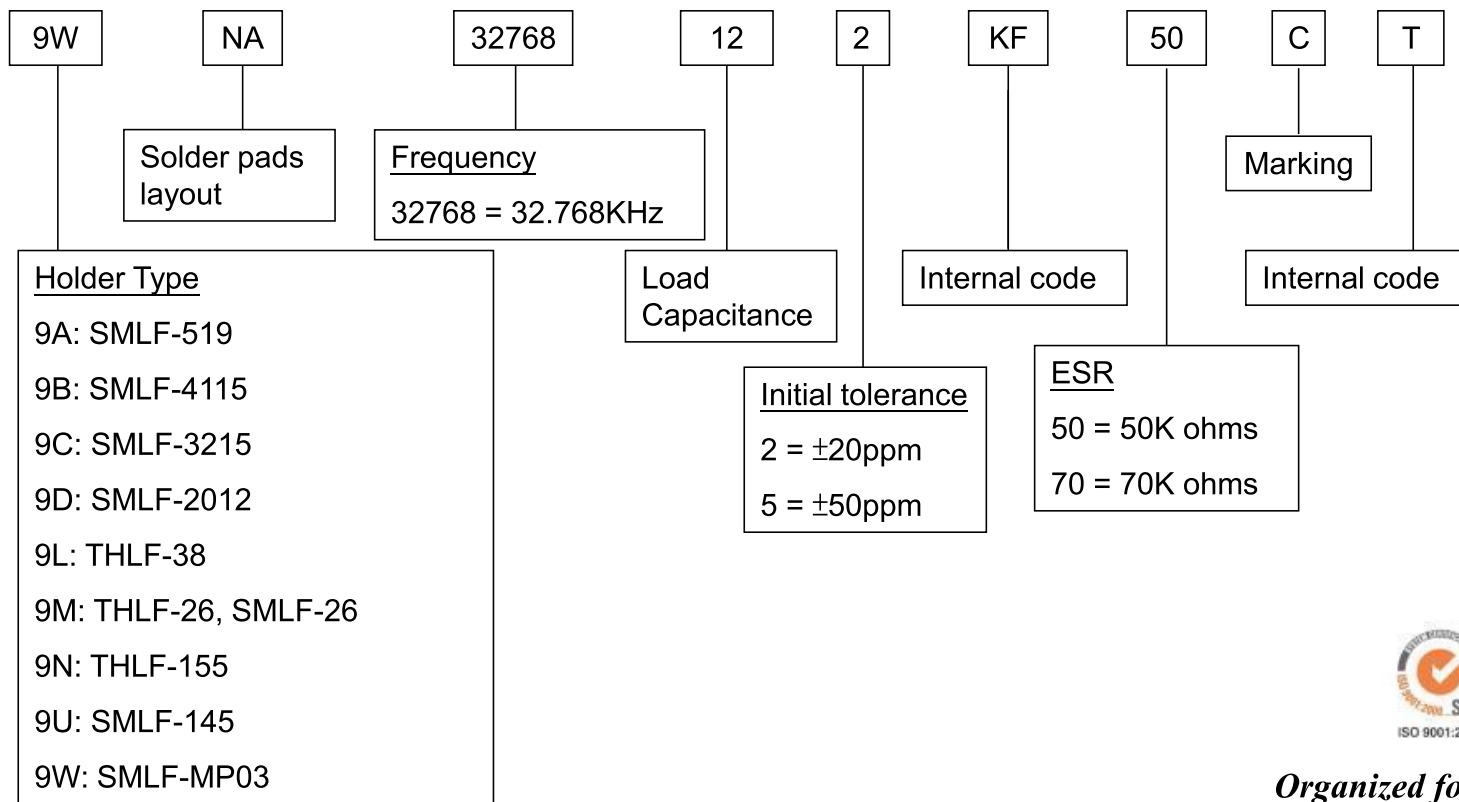
Remark: *NRND



INTERQUIP ELECTRONICS CO LTD

Part number identification

KHz Range SMD Crystal Resonators

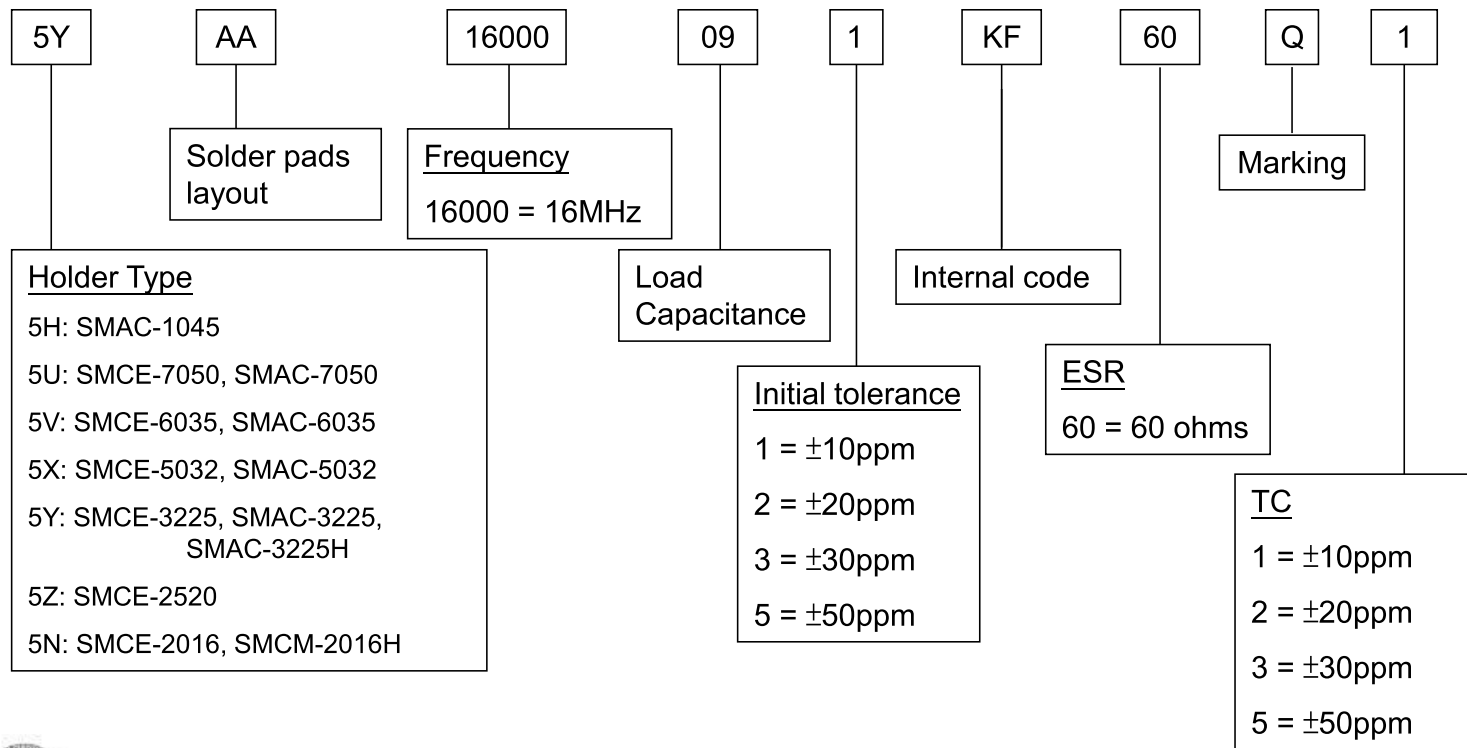


Organized for Quality
Dedicated for Service



INTERQUIP ELECTRONICS CO LTD

MHz Range SMD Crystal Resonators

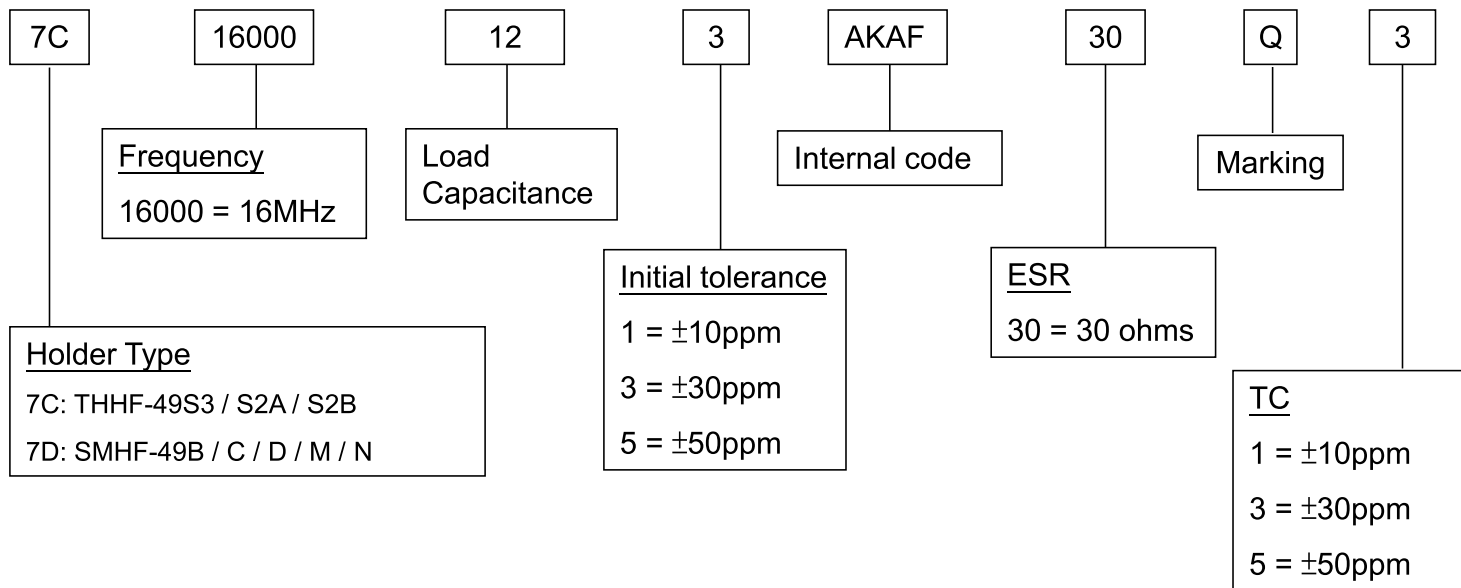


*Organized for Quality
Dedicated for Service*



INTERQUIP ELECTRONICS CO LTD

MHz Range Crystal Resonators (Through hole and SMD)

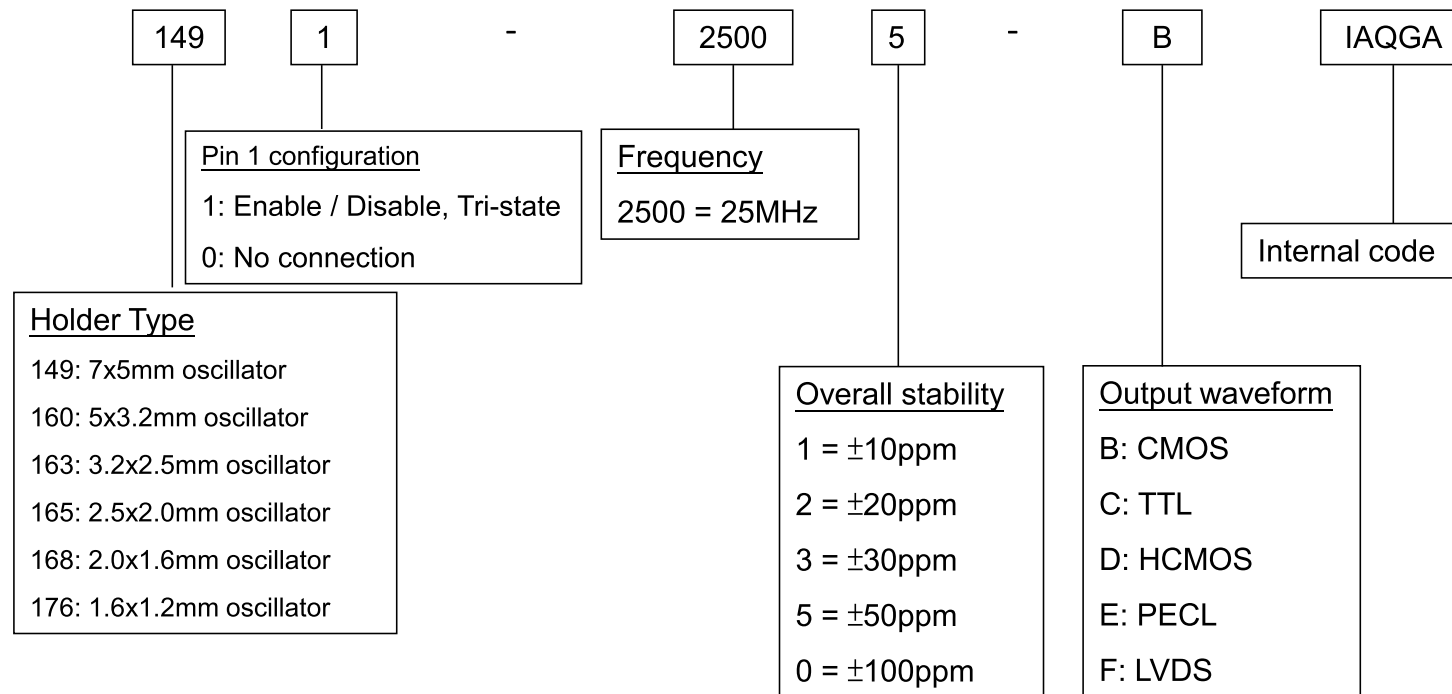


*Organized for Quality
Dedicated for Service*



INTERQUIP ELECTRONICS CO LTD

Crystal Oscillators

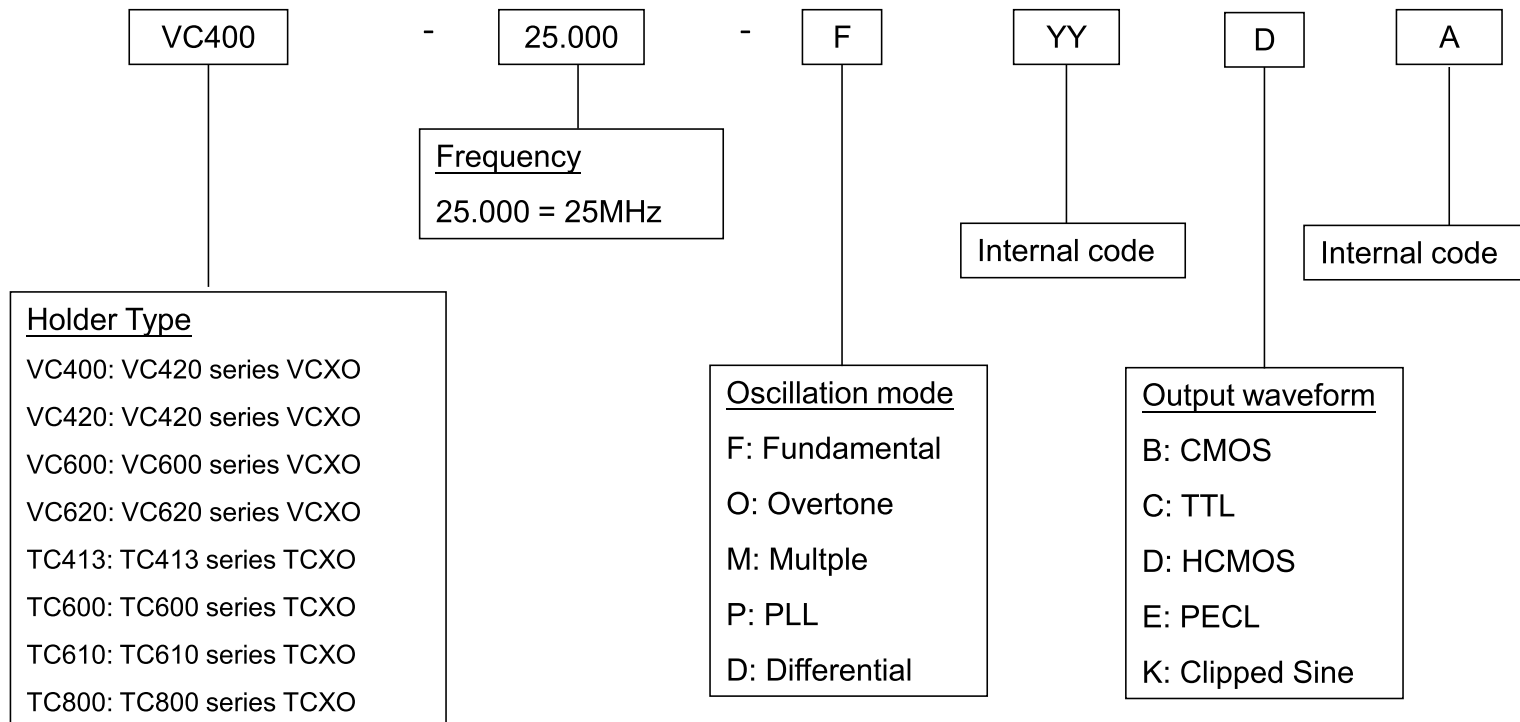


*Organized for Quality
Dedicated for Service*



INTERQUIP ELECTRONICS CO LTD

Crystal Oscillators (VCXO & TCXO)



*Organized for Quality
Dedicated for Service*